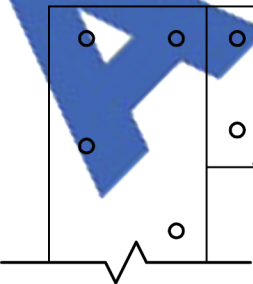
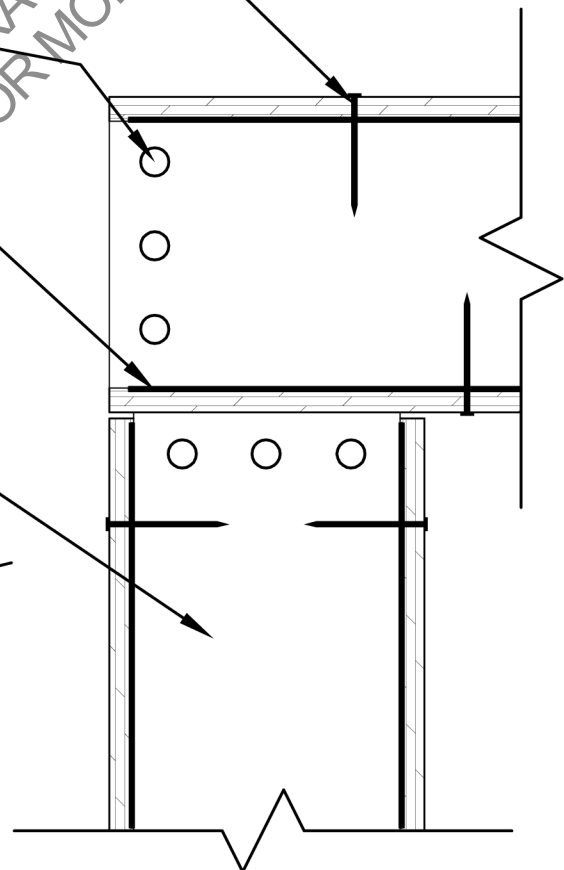


SECTION

STAGGER DOUBLE TOP PLATE OVER PANEL CORNER



INSET 2x TOP PLATE



PLEASE CONTACT ACME PANEL FOR MORE INFORMATION.

CORNER DETAIL

Scale:

$\frac{3}{8}'' = 1'-0''$

Drawing No.:

APC-102